

| | |
|----------------|---|
| STRUCTURE | Silicon Monolithic Integrated Circuit |
| PRODUCT SERIES | FM stereo transmitter IC for audio systems. |
| TYPE | BH1418KN |
| FEATURES | <ul style="list-style-type: none"> • It is possible to attempt to improve a timbre because it has the pre-emphasis circuit, limiter circuit and low-pass filter circuit. • Built-in the pilot-tone system FM stereo modulator circuit. • The transmission frequency is stable because it has PLL system FM transmitter circuit. • PLL data input (CE, CK, DA) by serial input. • It is possible for the monaural mode. • Built-in the sound muting circuit. |

○ Absolute Maximum Ratings (Ta=25°C)

| Parameter | Symbol | Limits | Unit | Conditions |
|---------------------------------|--------------------|----------------|------|--------------------|
| Supply voltage | Vcc | +7.0 | V | Pin 6, 12 |
| Data input voltage | V _{IN-D} | -0.3 ~ Vcc+0.3 | V | Pin 16, 17, 18, 19 |
| Phase comparator output voltage | V _{OUT-P} | -0.3 ~ Vcc+0.3 | V | Pin 5 |
| Power dissipation | Pd | 370 | mW | (*1) |
| Storage temperature | Tstg | -55 ~ +125 | °C | |

(*1) To use at a temperature higher than Ta=25°C, derate 3.7mW per 1°C.

Status of this document

The Japanese version of this document is the formal specification. A customer may use this translation version only for a reference to help reading the formal version. If there are any differences in translation version of this document, formal version takes priority.

Application example

The application circuit is recommended for use. Make sure to confirm the adequacy of the characteristics.

When using the circuit with changes to the external circuit constants, make sure to leave an adequate margin for external components including static and transitional characteristics as well as dispersion of the IC.

Note that ROHM cannot provide adequate confirmation of patents.

The product described in this specification is designed to be used with ordinary electronic equipment or devices (such as audio-visual equipment, office-automation equipment, communications devices, electrical appliances, and electronic toys.)

Should you intend to use this product with equipment or devices which require an extremely high level of reliability and the malfunction of which would directly endanger human life (such as medical instruments, transportation equipment, aerospace machinery, nuclear-reactor controllers, fuel controllers and other safety devices), please be sure to consult with our sales representative in advance.

ROHM assumes no responsibility for the use of any circuits described herein, conveys no license under any patent or other right, and makes no representations that the circuits are free from patent infringement.

○ Operating Range

| Parameter | Symbol | Limits | Unit | Conditions |
|--|-------------------|--------------------------------------|------|--------------------|
| Operating supply voltage | V _{CC} | 2.7 ~ 4.0 | V | Pin 6, 12 |
| Operating temperature | T _{opr} | -40 ~ +85 | °C | |
| Audio input level | V _{IN-A} | ~ -10 | dBV | Pin 24, 26 |
| Audio input frequency band | f _{IN-A} | 20 ~ 15k | Hz | Pin 24, 26 |
| Pre-emphasis time constant set up range | τ _{PRE} | ~ 155 | μsec | Pin 23, 27 |
| Transmission frequency | f _{TX} | 70 ~ 120 | MHz | Pin 8, 11 |
| Control terminal "H" level input voltage | V _{IH} | 0.8V _{CC} ~ V _{CC} | V | Pin 16, 17, 18, 19 |
| Control terminal "L" level input voltage | V _{IL} | GND ~ 0.2V _{CC} | V | Pin 16, 17, 18, 19 |

○ Electrical Characteristics

Unless otherwise specified Ta=25°C , V_{CC}=3.3V

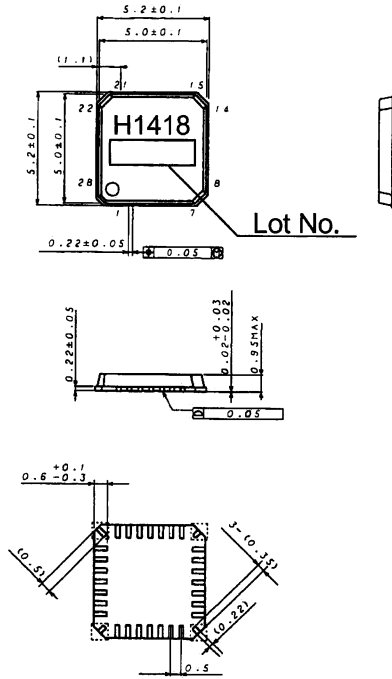
Signal source : f_{IN}=400Hz

| Parameter | Symbol | Limits | | | Unit | Conditions |
|-----------------------------|----------------------|----------------------|-----------------------|------|-------|--|
| | | Min. | Typ. | Max. | | |
| Quiescent current | I _Q | 13 | 18.5 | 28 | mA | |
| Channel separation | Sep | 25 | 40 | — | dB | V _{IN} =-20dBV, L→R, R→L |
| Total harmonic distortion | THD | — | 0.1 | 0.3 | % | V _{IN} =-20dBV, L+R |
| Channel balance | C.B | -2 | 0 | +2 | dB | V _{IN} =-20dBV, L+R |
| Input output gain | G _V | -2 | 0 | +2 | dB | V _{IN} =-20dBV, L+R |
| Pilot modulation rate | M _P | 12 | 15 | 18 | % | V _{IN} =-20dBV, L+R, Pin2 |
| Sub carrier rejection ratio | SCR | — | -30 | -20 | dB | V _{IN} =-20dBV, L+R |
| Pre-emphasis time constant | τ _{PRE} | 40 | 50 | 60 | μsec | V _{IN} =-20dBV, L+R |
| Limiter input level | V _{IN(LIM)} | -16 | -13 | -10 | dBV | Output level at 1dB gain compression |
| LPF cut off frequency | f _{C(LPF)} | 12 | 15 | 18 | kHz | V _O =-3dB, Pin23, 27 Open |
| Mute attenuation volume | V _{O(MUTE)} | — | -48 | -42 | dB | V _{IN} =-20dBV, L+R |
| Transmission output level | V _{TX} | 96 | 99 | 102 | dB μV | f _{TX} =100MHz |
| "H" level input current | I _{IH} | — | — | 1.0 | μA | Pin 16, 17, 18, 19 V _{IN} =3.3V |
| "L" level input current | I _{IL} | -1.0 | — | — | μA | Pin 16, 17, 18, 19 V _{IN} =0V |
| "H" level output voltage | V _{OH} | V _{CC} -1.0 | V _{CC} -0.15 | — | V | Pin 5 I _{OUT} =-1.0mA |
| "L" level output voltage | V _{OL} | — | 0.15 | 1.0 | V | Pin 5 I _{OUT} =1.0mA |
| "off" level leak current 1 | I _{OFF1} | — | — | 100 | nA | Pin 5 V _{OUT} =3.3V |
| "off" level leak current 2 | I _{OFF2} | -100 | — | — | nA | Pin 5 V _{OUT} =GND |

◎ This product is not designed for protection against radioactive rays.

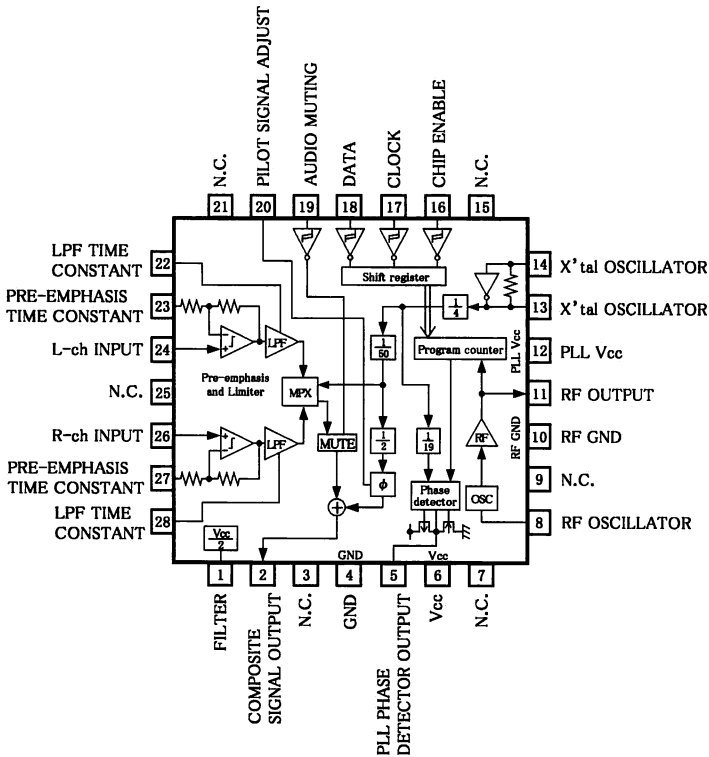
◎ The specification of transmission output level be based on the Radio Law in every country and the area.

○ External Dimension Diagram - Marking Diagram



VQFN28 (Unit : mm)

○ Block Diagram



○ Pin No. - Pin Name

| No. | Name | No. | Name |
|-----|---------------------------|-----|----------------------------|
| 1 | FILTER | 15 | N.C. |
| 2 | COMPOSITE SIGNAL OUTPUT | 16 | CHIP ENABLE |
| 3 | N.C. | 17 | CLOCK |
| 4 | GND | 18 | DATA |
| 5 | PLL PHASE DETECTOR OUTPUT | 19 | AUDIO MUTING |
| 6 | Vcc | 20 | PILOT SIGNAL ADJUST |
| 7 | N.C. | 21 | N.C. |
| 8 | RF OSCILLATOR | 22 | LPF TIME CONSTANT |
| 9 | N.C. | 23 | PRE-EMPHASIS TIME CONSTANT |
| 10 | RF GND | 24 | L-ch INPUT |
| 11 | RF OUTPUT | 25 | N.C. |
| 12 | PLL Vcc | 26 | R-ch INPUT |
| 13 | X'tal OSCILLATOR | 27 | PRE-EMPHASIS TIME CONSTANT |
| 14 | X'tal OSCILLATOR | 28 | LPF TIME CONSTANT |

○ Cautions On Use

(1) Absolute maximum ratings

If applied voltage, operating temperature range, or other absolute maximum ratings are exceeded, the LSI may be damaged. Do not apply voltages or temperatures that exceed the absolute maximum ratings. If you think of a case in which absolute maximum ratings are exceeded, enforce fuses or other physical safety measures and investigate how not to apply the conditions under which absolute maximum ratings are exceeded to the LSI.

(2) GND potential

Make the GND pin voltage such that it is the lowest voltage even when operating below it. Actually confirm that the voltage of each pin does not become a lower voltage than the GND pin, including transient phenomena.

(3) Thermal design

Perform thermal design in which there are adequate margins by taking into account the allowable power dissipation in actual states of use.

(4) Shorts between pins and misinstallation

When mounting the LSI on a board, pay adequate attention to orientation and placement discrepancies of the LSI. If it is misinstalled and the power is turned on, the LSI may be damaged. It also may be damaged if it is shorted by a foreign substance coming between pins of the LSI or between a pin and a power supply or a pin and a GND.

(5) Operation in strong magnetic fields

Adequately evaluate use in a strong magnetic field, since there is a possibility of malfunction.

Notes

- No technical content pages of this document may be reproduced in any form or transmitted by any means without prior permission of ROHM CO.,LTD.
- The contents described herein are subject to change without notice. The specifications for the product described in this document are for reference only. Upon actual use, therefore, please request that specifications to be separately delivered.
- Application circuit diagrams and circuit constants contained herein are shown as examples of standard use and operation. Please pay careful attention to the peripheral conditions when designing circuits and deciding upon circuit constants in the set.
- Any data, including, but not limited to application circuit diagrams information, described herein are intended only as illustrations of such devices and not as the specifications for such devices. ROHM CO.,LTD. disclaims any warranty that any use of such devices shall be free from infringement of any third party's intellectual property rights or other proprietary rights, and further, assumes no liability of whatsoever nature in the event of any such infringement, or arising from or connected with or related to the use of such devices.
- Upon the sale of any such devices, other than for buyer's right to use such devices itself, resell or otherwise dispose of the same, no express or implied right or license to practice or commercially exploit any intellectual property rights or other proprietary rights owned or controlled by
- ROHM CO., LTD. is granted to any such buyer.
- Products listed in this document are no antiradiation design.

The products listed in this document are designed to be used with ordinary electronic equipment or devices (such as audio visual equipment, office-automation equipment, communications devices, electrical appliances and electronic toys).

Should you intend to use these products with equipment or devices which require an extremely high level of reliability and the malfunction of which would directly endanger human life (such as medical instruments, transportation equipment, aerospace machinery, nuclear-reactor controllers, fuel controllers and other safety devices), please be sure to consult with our sales representative in advance.

About Export Control Order in Japan

Products described herein are the objects of controlled goods in Annex 1 (Item 16) of Export Trade Control Order in Japan.

In case of export from Japan, please confirm if it applies to "objective" criteria or an "informed" (by MITI clause) on the basis of "catch all controls for Non-Proliferation of Weapons of Mass Destruction.

Thank you for your accessing to ROHM product informations.
More detail product informations and catalogs are available,
please contact your nearest sales office.

Please contact our sales offices for details ;

| | | |
|-------------------------|---------------------------|----------------------------|
| U.S.A / San Diego | TEL : +1(858)625-3630 | FAX : +1(858)625-3670 |
| Atlanta | TEL : +1(770)754-5972 | FAX : +1(770)754-0691 |
| Dallas | TEL : +1(972)312-8818 | FAX : +1(972)312-0330 |
| Germany / Dusseldorf | TEL : +49(2154)9210 | FAX : +49(2154)921400 |
| United Kingdom / London | TEL : +44(1)908-282-666 | FAX : +44(1)908-282-528 |
| France / Paris | TEL : +33(0)1 56 97 30 60 | FAX : +33(0) 1 56 97 30 80 |
| China / Hong Kong | TEL : +852(2)740-6262 | FAX : +852(2)375-8971 |
| Shanghai | TEL : +86(21)6279-2727 | FAX : +86(21)6247-2066 |
| Dilian | TEL : +86(411)8230-8549 | FAX : +86(411)8230-8537 |
| Beijing | TEL : +86(10)8525-2483 | FAX : +86(10)8525-2489 |
| Taiwan / Taipei | TEL : +866(2)2500-6956 | FAX : +866(2)2503-2869 |
| Korea / Seoul | TEL : +82(2)8182-700 | FAX : +82(2)8182-715 |
| Singapore | TEL : +65-6332-2322 | FAX : +65-6332-5662 |
| Malaysia / Kuala Lumpur | TEL : +60(3)7958-8355 | FAX : +60(3)7958-8377 |
| Philippines / Manila | TEL : +63(2)807-6872 | FAX : +63(2)809-1422 |
| Thailand / Bangkok | TEL : +66(2)254-4890 | FAX : +66(2)256-6334 |

Japan /
(Internal Sales)

| | | | |
|----------|--|-----------------------|-----------------------|
| Tokyo | 2-1-1, Yaesu, Chuo-ku, Tokyo 104-0082 | TEL : +81(3)5203-0321 | FAX : +81(3)5203-0300 |
| Yokohama | 2-4-8, Shin Yokohama, Kohoku-ku, Yokohama, Kanagawa 222-8575 | TEL : +81(45)476-2131 | FAX : +81(45)476-2128 |
| Nagoya | Dainagayo Building 9F 3-28-12, Meieki, Nakamura-ku, Nagoya, Aichi 450-0002 | TEL : +81(52)581-8521 | FAX : +81(52)561-2173 |
| Kyoto | 579-32 Higashi Shiokouji-cho, Karasuma Nishi-iru, Shiokoujidori, Shimogyo-ku, Kyoto 600-8216 | TEL : +81(75)311-2121 | FAX : +81(75)314-6559 |

(Contact address for overseas customers in Japan)

| | | |
|----------|-----------------------|------------------------|
| Yokohama | TEL : +81(45)476-9270 | FAX : +81(045)476-9271 |
|----------|-----------------------|------------------------|